



Solupar

Your partner in egg handling solutions
Since 1997

Solupack 40-75

40-75 cph / 14.400 till 27.000 eph



Farmpacker

Quality:

Sustainable stainless steel machine.

Collecting table:

Optimum filling range by measuring the egg flow with 3 sensors that makes it easy to reach the maximum capacity.

Through the modular collecting table all layouts are possible.

Footprint

Small footprint gives the opportunity to place 2 solupacks next to each other, capacity is then up to 54.000 eph.

Interested? Contact us at:

Company

Solupar B.V.

office@solupar.com

+31 (0)73 503 57 87

www.solupar.com

Sales

Dianne van der Linden

sales@solupar.com

+31 (0)6 13 53 51 69

Follow us





Solupar

Your partner in egg handling solutions
Since 1997

Solupack 40-75

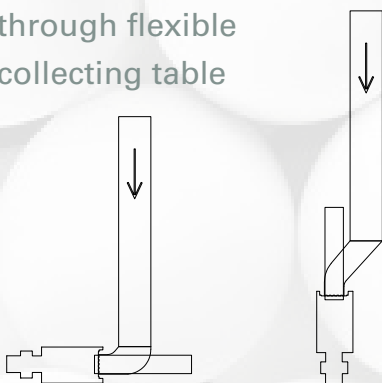
40-75 cph / 14.400 till 27.000 eph

Technical Properties:

- Variable speed regulation between 14.400 and 27.000 eph
- Display to control: speed, sensors, counting
- Collecting table, suitable for all kind of layouts: straight, 90 or 180 degrees
- Specially developed gates to transport the eggs in the rollers
- Soft touch rollers
- Unique way of point setting system
- Eggs fall smoothly from the blue rollers in the fingers
- With denester for plastic and carton trays
- Simple adjustment when changing trays
- High pressure cleaning resistant
- For consumption- or hatchery eggs
- Small footprint (2.5 x 0.8m)
- 220v single phase
- Plug & play



- Every layout is possible through flexible collecting table



Machine Lay-out

